

Oil Pressure Switches

For automatic cut-off of heaters when engine starts

Maximum Current Capacity:
 120V/208V/240V/277V — 25 Amps
 380V/480V/575V — 15 Amps
 Two pole single throw.

To prevent overheating of the heating element on standby equipment and automatic start engines, Kim Hotstart recommends turning the coolant heater off when the engine is running. A pressure switch that senses engine oil pressure is utilized to shut the heater off on increase of oil pressure and to turn the heater on when engine oil pressure drops.

Kim Hotstart Model Number	Enclosure Type
PS252	Dry Locations
PS252R	Dry Locations (Reverse Action)
PS252WT	Wet Locations
PS252EP	Hazardous Locations

PS252



Magnetic Contactors

30 AMPS	Kim Hotstart Model Number	Coil Voltage
	DRY LOCATIONS	
	MC330L	120V
	MC330	240V
WET LOCATIONS		
3 POLE	JBW11-000	120V
	JBW12-000	240V
HAZARDOUS LOCATIONS		
	JBE11-000	120V
	JBE12-000	240V

Inrush Voltamps (VA) 35 VA
 Holding Voltamps (VA) 8 VA

60 AMPS	Kim Hotstart Model Number	Coil Voltage
	DRY LOCATIONS	
	MC360L	120V
	MC360	240V
WET LOCATIONS		
3 POLE	JBW11-060	120V
	JBW12-060	240V
HAZARDOUS LOCATIONS		
	JBE11-060	120V
	JBE12-060	240V

Inrush Voltamps (VA) 92 VA
 Holding Voltamps (VA) 10 VA

MC330

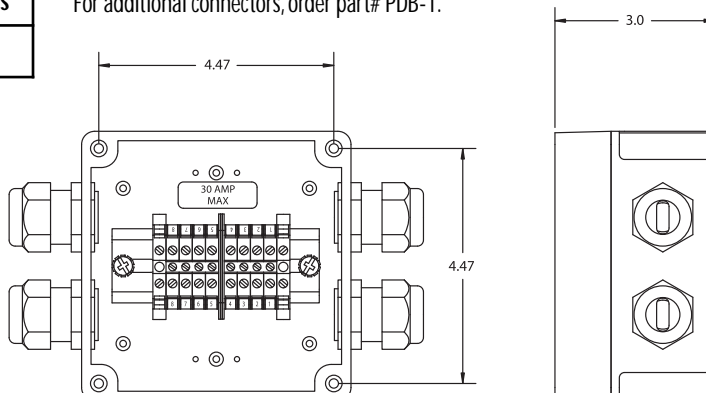


Junction Boxes

Use to simplify wiring on equipment when a variety of heaters and controls are required. All models have ten, 25 Amp terminal blocks.

Part Number	Number of Openings
PDB-000	8*

* Box comes assembled with 4 strain relief connectors. For additional connectors, order part# PDB-1.



PDB-000



PDB-1



Control Components

Complete Control Systems

For heater protection and power savings Kim Hotstart recommends de-energizing the heater when engine is running. On automatic start engines this can be accomplished with a control system using an Oil Pressure Switch or a 24 Volt Relay.

Volts	Kim Hotstart Model Number MANUAL START ENGINES	Amps	Kim Hotstart Model Number AUTOMATIC START ENGINES	Volts
Single Ø — One Heater and Thermostat Per Engine				
120V 208V 240V 277V	Use thermostat only. See pages 32 through 36.	25 Amps or Less	Use oil pressure switch (PS252) & thermostat. See pages 32-36 and page 37.	120V 208V 240V 277V
Three Ø — One Heater and Thermostat Per Engine				
Single Ø — Two Heaters and Two Thermostats Per Engine				
120V 208V 240V 277V	Use one thermostat with each heater. See pages 32 through 36.	25 Amps Per Heater or Less	Use one oil pressure switch (PS252) & thermostat with each heater. See pages 32 through 36 and page 37.	120V 208V 240V 277V
380V 480V 575V	JBW23-000 JBW24-000 JBW25-000	D	JBW23-100 JBW24-100 JBW25-100	380V 480V 575V
120V 208V 240V 380V 480V 575V	JBW21-000 JBW28-000 JBW22-000 JBW23-000 JBW24-000 JBW25-000	C	JBW21-100 JBW28-100 JBW22-100 JBW23-100 JBW24-100 JBW25-100	120V 208V 240V 380V 480V 575V
Three Ø — Two Heaters and Two Thermostats Per Engine				
208V 240V 380V 480V 575V	JBW28-000 JBW22-000 JBW23-000 JBW24-000 JBW25-000	C	JBW28-100 JBW22-100 JBW23-100 JBW24-100 JBW25-100	208V 240V 380V 480V 575V

All control boxes are available for Class 1 Group D hazardous locations, change prefix "JBW" to "JBE". Consult factory for price and availability.

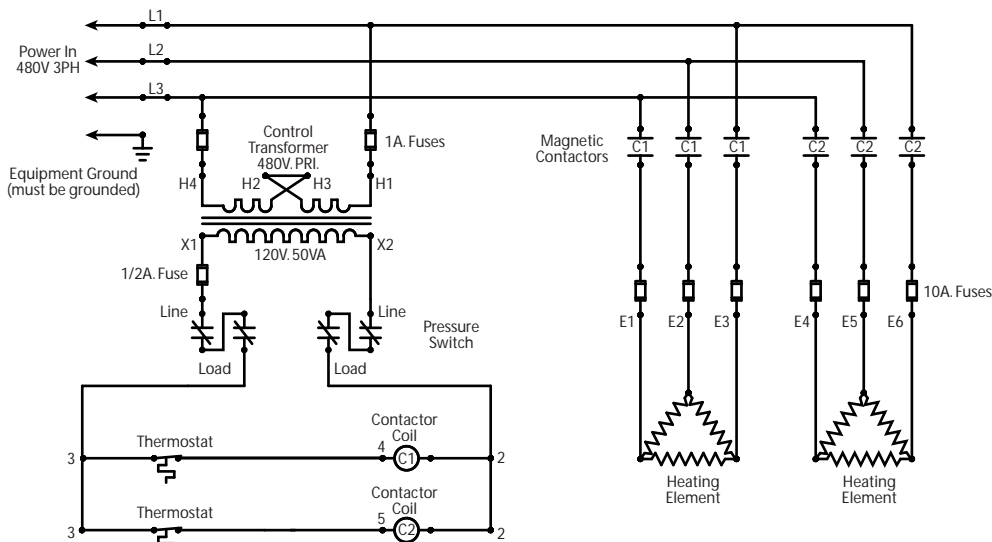
Box Size Code: A – 6 x 6 x 4, B – 8 x 8 x 4, C – 10 x 8 x 4, D – 12 x 10 x 5

All Kim Hotstart heaters with thermostats, designed to operate on 3-phase current (at any voltage), require the use of a control system with a 3-pole contactor. All Kim Hotstart heaters with thermostat designed to operate over 480 volt (1 phase or 3 phase) require a control system to reduce the primary voltage to 120 volts for the control circuit. For increased thermostat life, use a control system on all heaters above 277 volts either single or three phase.

These control systems allow for quick electrical installation of all Kim Hotstart engine preheaters. They are designed as a time and labor saving component. They are especially useful on installations that require two coolant heaters or combinations of a coolant heater and oil heater/hydraulic heater etc.

All control boxes on this and preceding page are NEMA 12 & 13.

All control boxes are available for Class 1 Group D hazardous locations. Change prefix "JBW" to "JBE" and consult factory for price and availability.

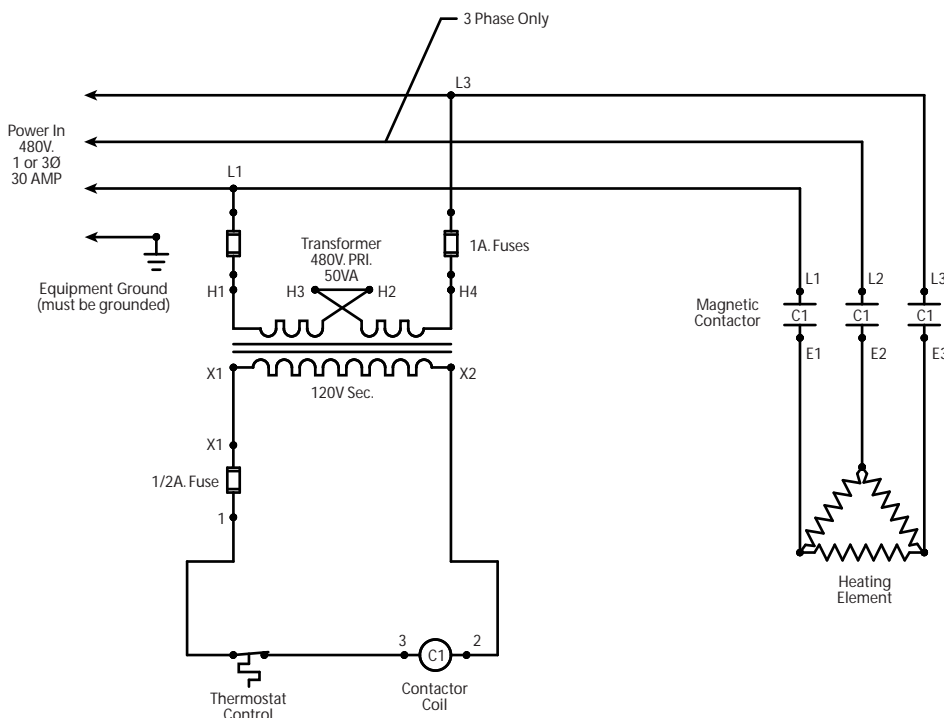


To control two 480 volt heaters at maximum 30 amps on automatic start engines.

Typical Control Box System Components



Model JBW24-200
With pressure switch
or
Model JBW24-100
With 24 volt relay



To control one 480 volt heater at maximum 30 amps on manual start engine.



Model JBW14-000
No automatic control