

Industrial Tank Heaters

SB, SL Series With power cord Weathertight Single Phase

1500-4000 Watts

SB Models include high-limit thermostats and carry CSA-C/US approval



SB Model with power cord
no thermostat



SB Model with thermostat
and power cord



SL Model with power cord
no thermostat



SL Model with thermostat
and power cord

Engine Displacement	Model Number without Thermostat	Model Number with Thermostat see chart 1	Volts	Watts	Phase	Amps
350 - 500cid 5.7 - 8.2L	SB115100-000	SB1151XX-200	120	1500	1	12.5
	SB115800-000	SB1158XX-200	208	1500	1	7.2
	SB115200-000	SB1152XX-200	240	1500	1	6.3
	SB115700-000	SB1157XX-200	277	1500	1	5.4
500 - 600cid 8.2 - 9.8L	SB120100-000	SB1201XX-200	120	2000	1	16.7
	SB120800-000	SB1208XX-200	208	2000	1	9.6
	SB120200-000	SB1202XX-200	240	2000	1	8.3
600 - 800cid 9.8 - 13.1L	SB122100-000	SB1221XX-200	120	2250	1	18.8
	SB125800-000	SB1258XX-200	208	2500	1	12.0
	SB125200-000	SB1252XX-200	240	2500	1	10.4
	SB125700-000	SB1257XX-200	277	2500	1	9.0
800 - 1000cid 13.1 - 16.4L	SL130100-100	—	120	3000	1	25.0
	SL130800-100	SL1308XX-200	208	3000	1	14.4
	SL130200-100	SL1302XX-200	240	3000	1	12.5
	SL130700-100	SL1307XX-200	277	3000	1	10.8
1000 - 1350cid 16.4 - 22.1L	SL140800-100	SL1408XX-200	208	4000	1	19.2
	SL140200-100	SL1402XX-200	240	4000	1	16.7
	SL140700-100	SL1407XX-200	277	4000	1	14.4

All 208v, 277v and 3000w/120v models come with cord only - no plug.

ADAPTER FITTINGS

For the use of .75" or 1" ID heater hose, hose barb adapters are available. See below.

Part Number	Description
HB-1	1" NPT to 1" hose barb adapter. Installs in 1" NPT female inlet or outlet of the heater.
HB-3/4	1" NPT to .75" hose barb adapter. Installs in 1" NPT female inlet or outlet of the heater.

CHART 1 - HEATERS WITH THERMOSTATS

To specify temperature range of thermostat, insert numerical code from chart in place of the **XX** in model number.

Example:

Desired Temperature Range 100° - 120°F
Model Number: SB1151**XX**-200
Order as: SB1151**10**-200

Temperature Range		Numerical Code
ON	OFF	
80°F (27C)	100°F (38C)	08
100°F (38C)	120°F (49C)	10
120°F (49C)	140°F (60C)	12
Adjustable 90° - 130°F (32° - 54°C)		A3

Replacement Parts

Model Number without Thermostat	Model Number with Thermostat see chart 2	Replacement Parts					
		Element	Tank	Box	Power Cord	Element O-ring	Mounting Kit
SB115100-000	SB1151XX-200	RESB1151	RTB	RTBSB	RHB-1-15	TMM-OR	FK2
SB115800-000	SB1158XX-200	RESB1158	RTB	RTBSB	RHB-WOP	TMM-OR	FK2
SB115200-000	SB1152XX-200	RESB1152	RTB	RTBSB	RHB-2-15	TMM-OR	FK2
SB115700-000	SB1157XX-200	RESB1157	RTB	RTBSB	RHB-WOP	TMM-OR	FK2
SB120100-000	SB1201XX-200	RESB1201	RTB	RTBSB	RHB1-20	TMM-OR	FK2
SB120800-000	SB1208XX-200	RESB1208	RTB	RTBSB	RHB-WOP	TMM-OR	FK2
SB120200-000	SB1202XX-200	RESB1202	RTB	RTBSB	RHB-2-15	TMM-OR	FK2
SB122100-000	SB1221XX-200	RESB1221	RTB	RTBSB	RHB-1-20	TMM-OR	FK2
SB125800-000	SB1258XX-200	RECB1258	RTB	RTBSB	RHB-WOP	TMM-OR	FK2
SB125200-000	SB1252XX-200	RECB1252	RTB	RTBSB	RHB-2-15	TMM-OR	FK2
SB125700-000	SB1257XX-200	RECB1257	RTB	RTBSB	RHB-WOP	TMM-OR	FK2
SL130100-100	—	RECL1301	RTL	RTBCL-100	N/A	TML-OR	FK6
SL130800-100	SL1308XX-200	RECL1308	RTL	RTBCL-100	RHL-WOP	TML-OR	FK6
SL130200-100	SL1302XX-200	RECL1302	RTL	RTBCL-100	RHL-2-15	TML-OR	FK6
SL130700-100	SL1307XX-200	RECL1307	RTL	RTBCL-100	RHL-WOP	TML-OR	FK6
SL140800-100	SL1408XX-200	RECL1408	RTL	RTBCL-100	RHL-WOL	TML-OR	FK6
SL140200-100	SL1402XX-200	RECL1402	RTL	RTBCL-100	RHL-2-20	TML-OR	FK6
SL140700-100	SL1407XX-200	RECL1407	RTL	RTBCL-100	RHL-WOP	TML-OR	FK6

Common Replacement Parts available on all listed heaters

High Limit Control | Check Valve

HLC-165	RV-M
---------	------

CHART 2

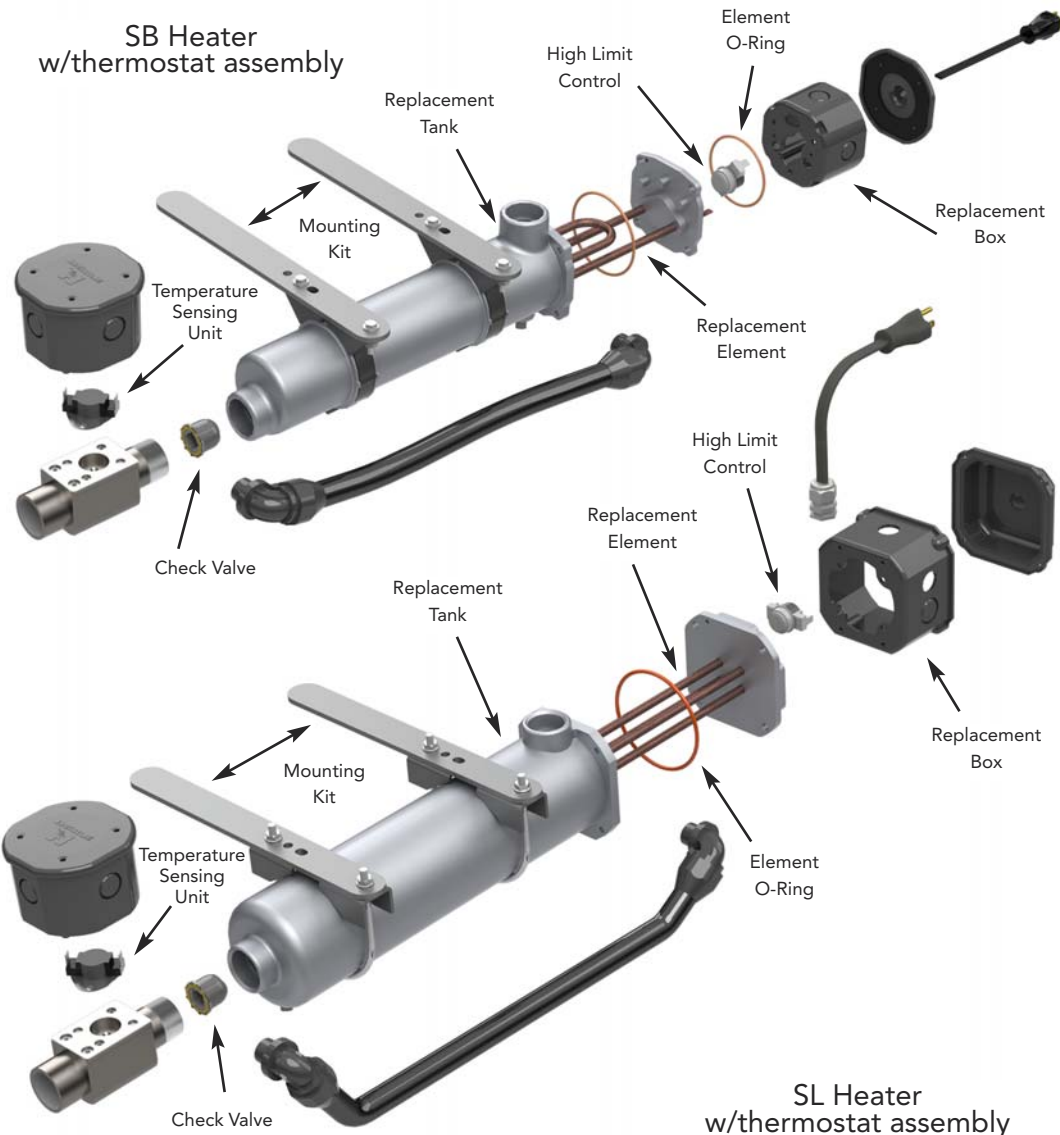
Heaters with Thermostats

Temperature Range		Sensing Unit
ON	OFF	
80°F (27C)	100°F (38C)	FSU8
100°F (38C)	120°F (49C)	FSU10
120°F (49C)	140°F (60C)	FSU12
Adjustable 90° - 130°F (32°C - 54°C)		FSU90-130

Example:

Model Number: SB115110-200
T-Stat Replacement: FSU10

SB Heater w/thermostat assembly

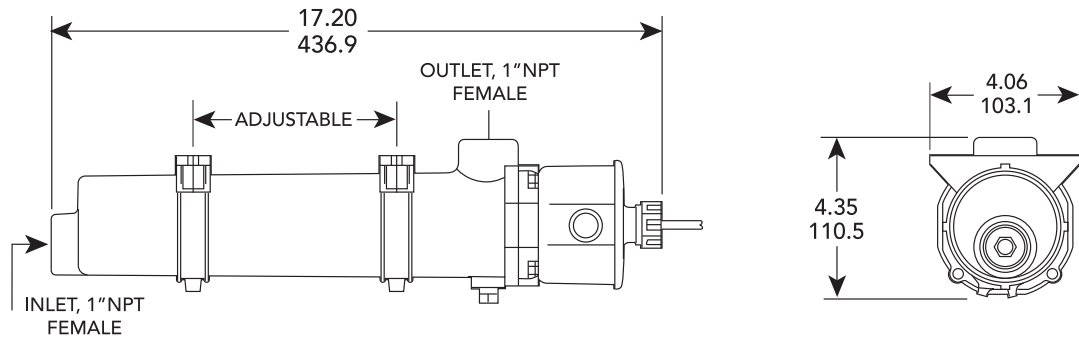


SL Heater w/thermostat assembly

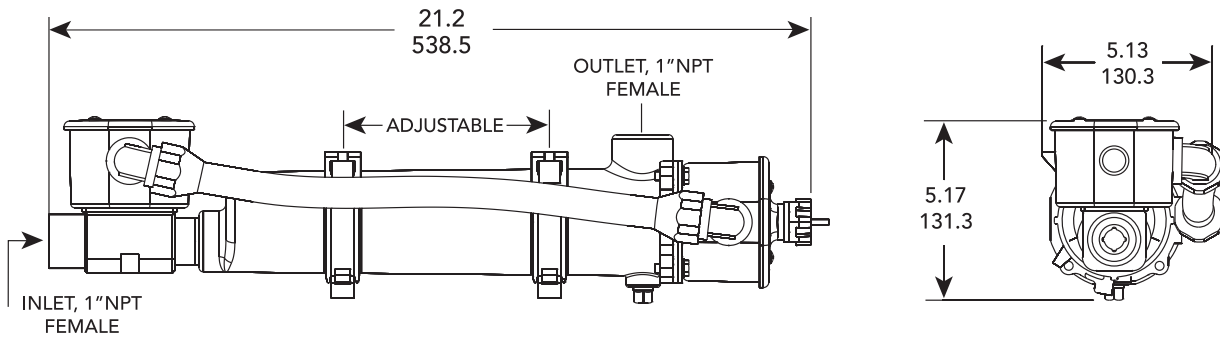
Dimensional Drawings

inch, millimeter

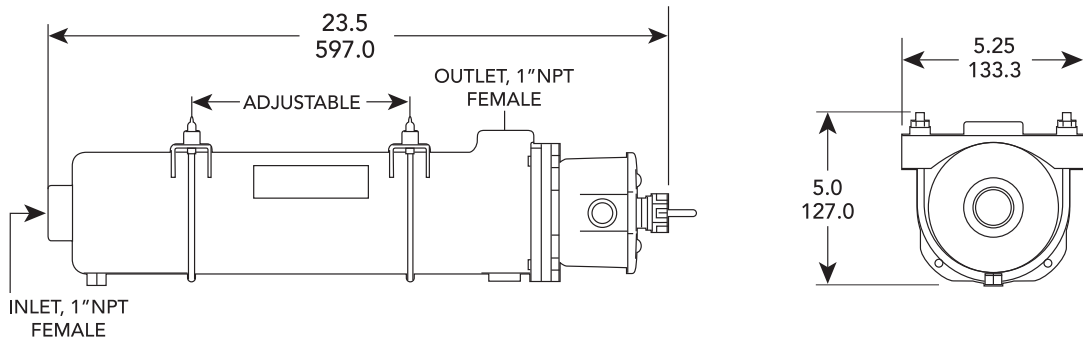
SB Model without thermostat



SB Model with thermostat



SL Model without thermostat



SL Model with thermostat

