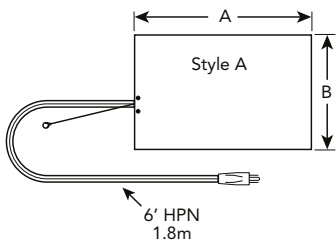


Battery Heating Pads

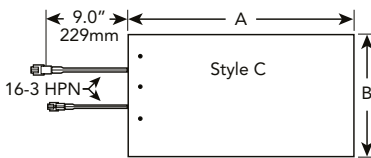
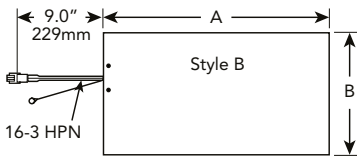


Battery heater not recommended for nickel cadmium batteries. When batteries are placed in an insulated battery box, a thermostat is recommended to sense battery box temperature to prevent overheating the battery.

Standard Pad for Single Battery

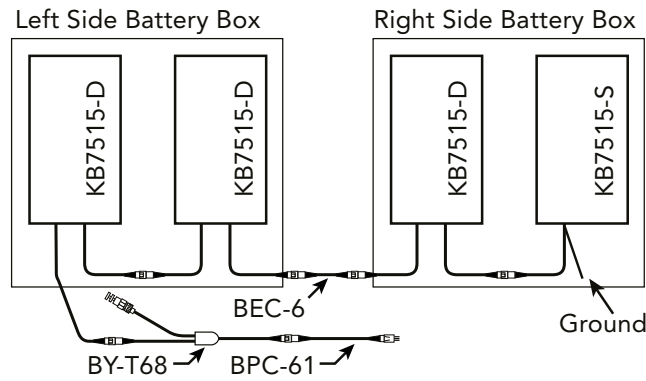


Special Pads for Multiple Batteries



Model Number	Volts	Watts	Amps	Nominal Dimensions		Battery Size	Style
				A	B		
KB5015	120	50	.42	12.75" (324mm)	8.25" (210mm)	4D	A
KB5015-S	120	50	.42	12.75" (324mm)	8.25" (210mm)	4D	B
KB5015-D	120	50	.42	12.75" (324mm)	8.25" (210mm)	4D	C
KB7515	120	75	.63	19.5" (495mm)	10.5" (267mm)	8D	A
KB7515-S	120	75	.63	19.5" (495mm)	10.5" (267mm)	8D	B
KB7515-D	120	75	.63	19.5" (495mm)	10.5" (267mm)	8D	C
KB7523	240	75	.31	19.5" (495mm)	10.5" (267mm)	8D	A
KB7523-S	240	75	.31	19.5" (495mm)	10.5" (267mm)	8D	B
KB7523-D	240	75	.31	19.5" (495mm)	10.5" (267mm)	8D	C

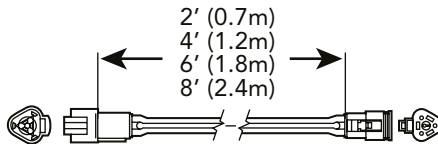
Typical Connection - 2 Batteries on Each Side of Vehicle



Accessories For Multiple Battery Heating

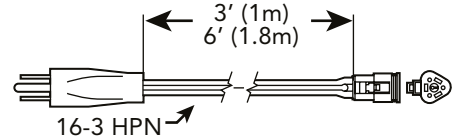
EXTENSION CORDS

Part Number	Length
BEC-2	2' (0.7m)
BEC-4	4' (1.2m)
BEC-6	6' (1.8m)
BEC-8	8' (2.4m)



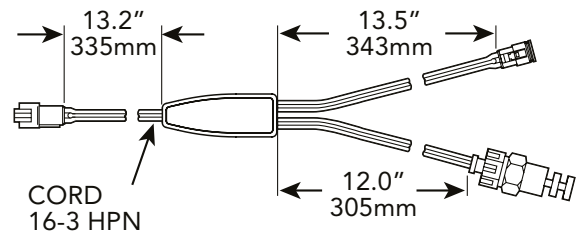
POWER SUPPLY CORDS

Part Number	Length	Volts
BPC-31	3' (1m)	120
BPC-32	3' (1m)	240
BPC-61	6' (1.8m)	120
BPC-62	6' (1.8m)	240



THERMOSTAT & "Y" CORD ASSEMBLY

Part Number	Temperature Control	
	On	Off
BY-T68	60°F (16°C)	80°F (27°C)



UL RECOGNIZED BATTERY THERMAL WRAP — WITH THERMOSTAT
 Thermostat range: 60 °F - 80 °F (16 °C - 27 °C)

Select wrap based on either Battery Group OR Battery Perimeter		Replacement Strap BW-S-55 for wrap lengths of 34", 42" and 50" Replacement Strap BW-S-80 for wrap lengths of 58", 66" and 74"				
Battery Group*	Battery Perimeter	Model Number	Volts	Watts	Wrap Length	72" Power Cord**
22NF	24 - 32" (610 - 813 mm)	BW0513006S-000	120	50	34" (864 mm)	BPC-61
		BW0523006S-000	240	50	34" (864 mm)	BPC-62
24, 24F, 24H, 24R, 24T, 25, 27, 27H, 34, 34R, 35, 75, 78, GC2	32 - 40" (813 - 1016 mm)	BW0613806S-000	120	65	42" (1067 mm)	BPC-61
		BW0623806S-000	240	65	42" (1067 mm)	BPC-62
30H, 31	40 - 48" (1016 - 1219 mm)	BW0814606S-000	120	80	50" (1270 mm)	BPC-61
		BW0824606S-000	240	80	50" (1270 mm)	BPC-62
2E	48 - 56" (1219 - 1422 mm)	BW1015406S-000	120	100	58" (1473 mm)	BPC-61
		BW1025406S-000	240	100	58" (1473 mm)	BPC-62
4D, 6D	56 - 64" (1422 - 1626 mm)	BW1316206S-000	120	130	66" (1676 mm)	BPC-61
		BW1326206S-000	240	130	66" (1676 mm)	BPC-62
8D	64 - 72" (1626 - 1829 mm)	BW1617006S-000	120	160	74" (1880 mm)	BPC-61
		BW1627006S-000	240	160	74" (1880 mm)	BPC-62

EURO BATTERY THERMAL WRAP FOR SCHUKO PLUG— WITH THERMOSTAT
 Thermostat range: 60 °F - 80 °F (16 °C - 27 °C)

Select wrap based on either Battery Group OR Battery Perimeter		Replacement Strap BW-S-55 for wrap lengths of 34", 42" and 50" Replacement Strap BW-S-80 for wrap lengths of 58", 66" and 74"				
Battery Group*	Battery Perimeter	Model Number	Volts	Watts	Wrap Length	72" Power Cord**
22NF	24 - 32" (610 - 813 mm)	BW0523006S-100	240	50	34" (864 mm)	BPC-62E
24, 24F, 24H, 24R, 24T, 25, 27, 27H, 34, 34R, 35, 75, 78, GC2	32 - 40" (813 - 1016 mm)	BW0623806S-100	240	65	42" (1067 mm)	BPC-62E
30H, 31	40 - 48" (1016 - 1219 mm)	BW0824606S-100	240	80	50" (1270 mm)	BPC-62E
2E	48 - 56" (1219 - 1422 mm)	BW1025406S-100	240	100	58" (1473 mm)	BPC-62E
4D, 6D	56 - 64" (1422 - 1626 mm)	BW1326206S-100	240	130	66" (1676 mm)	BPC-62E
8D	64 - 72" (1626 - 1829 mm)	BW1627006S-100	240	160	74" (1880 mm)	BPC-62E

* Not all battery groups listed. For wrap sizing, consult the factory.

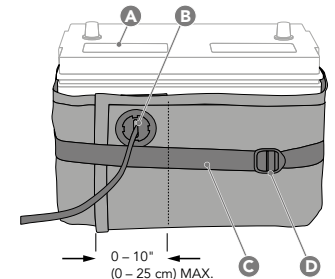
** Power cord sold separately. For other cord lengths, consult the factory.

Battery wrap comes with a 9" (229 mm) pigtail. BPC-61 and BPC-62 have a NEMA plug. BPC-62E has a Schuko plug. **Please order the necessary power cord to complete your wrap assembly.**

UL Recognized thermostatically controlled battery thermal wraps provide optimum heating regardless of ambient temperature. At 80 °F (27 °C), the battery will achieve maximum cold cranking amps.

- Thermostat will eliminate battery damage caused by overheating and acid spill.
- Adjustable strap included for securing wrap around the battery.
- For optimized heating, properly overlap the wrap and have the thermostat stay in contact with the battery. Maximum allowable overlap is 10" (25 cm).
- If placed inside a case or box, HOTSTART recommends a minimum clearance of 1.5" (38 mm) between battery and enclosure wall.
- Euro battery wraps not UL Recognized.

Battery Thermal Wrap

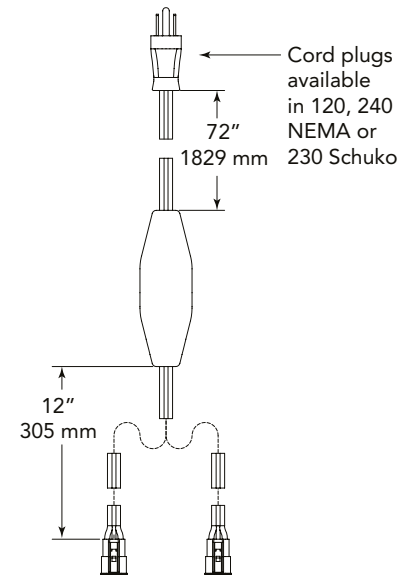


Battery wrap installation, showing battery (A), cord (B), strap (C) and buckle (D). Maximum overlap is 10 inches (25 cm).

Optional Y-Cords for connecting two battery heating wraps. NEMA Plug with 16-3 HPN cable or Schuko Plug with H05RN-F cable available.

"Y" CORD ASSEMBLY

Part Number	Voltage	Plug Type
BW-Y-1	120	NEMA (US)
BW-Y-2	240	NEMA (US)
BW-Y-E	230	Schuko (Euro)



Battery Thermal Wrap



BATTERY THERMAL WRAP — NO THERMOSTAT

Model Number	Volts	Watts	Length
KBW5015-000	120	50	28" (711 mm)
KBW8015-000	120	80	36" (914 mm)
KBW16015-000	120	160	72" (1829 mm)

Prolong the life of your battery with HOTSTART thermal battery wraps. Wraps without a thermostart are not UL Recognized.

- Durable, fire-retardant vinyl cover that resists oils and acids.
- All standard battery pads and battery wraps come with 6' (1.8 m) grounded cord and plug.
- Fast, easy installation.
- Boosts battery cranking power as much as 75%.

Versatile and Easy to Install

HOTSTART adhesive pad heaters can be used on oil pans, hydraulic reservoirs, engine blocks, hydraulic cylinders and diesel fuel tanks.

- Easy peel and stick application.
- Etched foil heating element for optimal heat transfer and long life.
- Durable silicone/fiberglass cover resists abrasion.
- 120 V models are assembled with a standard 6' (1.8m) HPN cord and plug. 240 V models include 6' (1.8m) HPN cord without plug.

Silicone Pad Heaters



Not for use on batteries

Model Number	Volts	Watts	Dimensions
AF10015 AF10024	120 240	100 100	4" x 5" (102mm x 127mm)
AF15015 AF15024	120 240	150 150	4" x 5" (102mm x 127mm)
AF25015 AF25024	120 240	250 250	5" x 6" (127mm x 152mm)
AF40015 AF40024	120 240	400 400	6" x 8" (152mm x 203mm)

Application Guideline	100 Watt	150 Watt	250 Watt	400 Watt
Engine oil pan	2 - 5 quarts 1.9 - 4.7L	5 - 8 quarts 4.7 - 7.5 L	2 - 5 gallons 7.5 - 19.0L	5 - 8 gallons 19.0 - 30.3L
Diesel Tank	5 - 7 gallons 19.0 - 26.5L	7 - 10 gallons 26.5 - 38.0L	10 - 20 gallons 38.0 - 75.7L	20 - 30 gallons 75.7 - 113.5L
Hydraulic Tank	1 - 5 gallons 4.0 - 19.0L	5 - 10 gallons 19.0 - 38.0L	10 - 20 gallons 38.0 - 75.7 L	20 - 30 gallons 75.7 - 113.5L
Water Tank	up - 2 gallons up - 7.5L	2 - 4 gallons 7.5 - 15.0L	4 - 7 gallons 15.0 - 26.5L	7 - 10 gallons 26.5 - 38.0L

CAUTION: Do not use pads with higher than recommended wattage for specific oil capacities. For use on metal surfaces only.