

Industrial Immersion Heaters

2" Screw Plug

Available with fixed or adjustable thermostat.



Weathertight Model
NEMA 4



Hazardous Location Model
NEMA 4 & 7

Models for larger capacities than shown are available. Call factory.

Oil Capacity	HIGH LIMIT THERMOSTAT CONTROL SETTING			Volts	Watts	Amps	Watts/ Sq. In.
	On 60°F (16C) Off 80°F (27C)	On 80°F (27C) Off 100°F (38C)	On 100°F (38C) Off 120°F (49C)				

SINGLE PHASE — 2" N.P.T. WITH A 12" (305mm) PROBE LENGTH

30 - 45 Gallons 113-170L	E01011W-156A-00	E01011W-158A-00	E01011W-151A-00	120	1000	8.3	17.0
	E01081W-156A-00	E01081W-158A-00	E01081W-151A-00	208	1000	4.8	17.0
	E01021W-156A-00	E01021W-158A-00	E01021W-151A-00	240	1000	4.2	17.0
	E01071W-156A-00	E01071W-158A-00	E01071W-151A-00	277	1000	3.6	17.0
45 - 60 Gallons 170-227L	E01511W-156A-00	E01511W-158A-00	E01511W-151A-00	120	1500	12.5	17.0
	E01581W-156A-00	E01581W-158A-00	E01581W-151A-00	208	1500	7.2	17.0
	E01521W-156A-00	E01521W-158A-00	E01521W-151A-00	240	1500	6.3	17.0
	E01571W-156A-00	E01571W-158A-00	E01571W-151A-00	277	1500	5.4	17.0

THREE PHASE — 2" N.P.T. WITH A 12" (305mm) PROBE LENGTH

30 - 45 Gallons 113-170L	E01083W-106A-00	E01083W-108A-00	E01083W-101A-00	208	1000	2.8	11.0
	E01023W-106A-00	E01023W-108A-00	E01023W-101A-00	240	1000	2.4	11.0
	E01033W-106A-00	E01033W-108A-00	E01033W-101A-00	380	1000	1.5	11.0
	E01043W-106A-00	E01043W-108A-00	E01043W-101A-00	480	1000	1.2	11.0
45 - 60 Gallons 170-227L	E01583W-156A-00	E01583W-158A-00	E01583W-151A-00	208	1500	4.2	17.0
	E01523W-156A-00	E01523W-158A-00	E01523W-151A-00	240	1500	3.6	17.0
	E01533W-156A-00	E01533W-158A-00	E01533W-151A-00	380	1500	2.3	17.0
	E01543W-156A-00	E01543W-158A-00	E01543W-151A-00	480	1500	1.8	17.0

SINGLE PHASE — 2" N.P.T. WITH A 18" (457mm) PROBE LENGTH

60 - 90 Gallons 227-341L	E02011W-156A-00	E02011W-158A-00	E02011W-151A-00	120	2000	16.7	14.0
	E02081W-156A-00	E02081W-158A-00	E02081W-151A-00	208	2000	9.6	14.0
	E02021W-156A-00	E02021W-158A-00	E02021W-151A-00	240	2000	8.4	14.0
	E02071W-156A-00	E02071W-158A-00	E02071W-151A-00	277	2000	7.2	14.0
	E02031W-156A-00	E02031W-158A-00	E02031W-151A-00	380	2000	5.3	14.0
	E02041W-156A-00	E02041W-158A-00	E02041W-151A-00	480	2000	4.2	14.0

THREE PHASE — 2" N.P.T. WITH A 18" (457mm) PROBE LENGTH

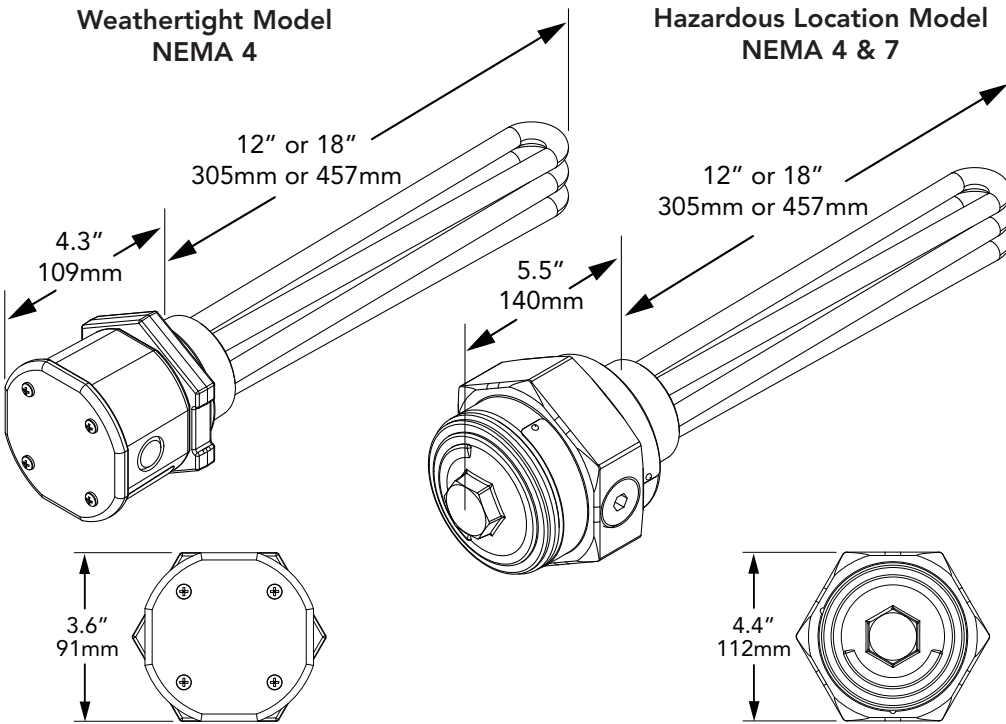
60 - 90 Gallons 227-341L	E02083W-156A-00	E02083W-158A-00	E02083W-151A-00	208	2000	5.6	14.0
	E02023W-156A-00	E02023W-158A-00	E02023W-151A-00	240	2000	4.8	14.0
	E02033W-156A-00	E02033W-158A-00	E02033W-151A-00	380	2000	3.0	14.0
	E02043W-156A-00	E02043W-158A-00	E02043W-151A-00	480	2000	2.4	14.0

Hazardous Location models with thermostat also available.
Substitute the letter "W" in part number with the letter "E" to specify Hazardous Location models.

Industrial Immersion Heaters are also available for coolants and other process heating.
Call factory.

Call HOTSTART for complete model number featuring adjustable thermostat.

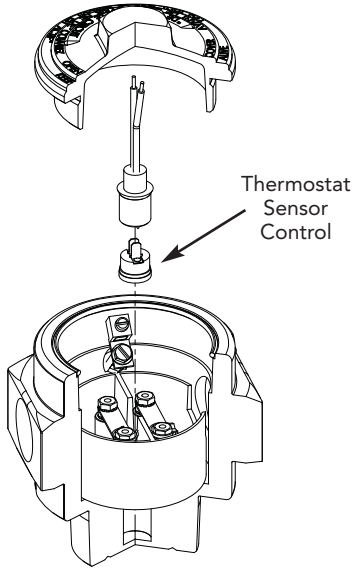
HOTSTART immersion heaters include a fixed-setting, built-in thermostat and are available with an adjustable thermostat.



Industrial Immersion Heaters

2" Screw Plug

Fixed Thermostat Assembly

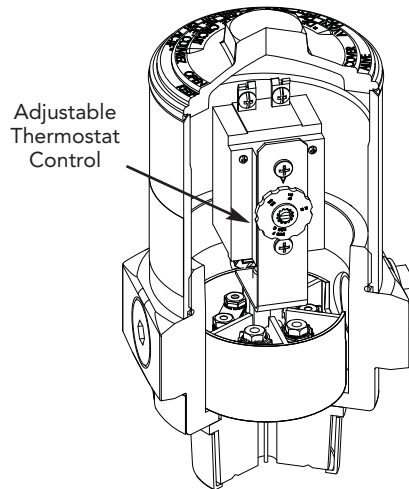


TEMPERATURE RANGE		CONTROL
ON	OFF	
60°F (16C)	80°F (27C)	HLC-6
80°F (27C)	100°F (38C)	HLC-8
100°F (38C)	120°F (49C)	HLC-10

ELECTRICAL RATING

15 Amps at 120 Vac
10 Amps at 240 Vac
10 Amps at 277 Vac

Adjustable Thermostat Assembly



TEMPERATURE RANGE	CONTROL
OFF	70°F - 210°F (21°-99°C)

Nominal thermal differential is 8°F (-13°C)

ELECTRICAL RATING

30 Amps at 125 Vac
30 Amps at 240 Vac
30 Amps at 277 Vac
20 Amps at 480 Vac

NOTES:

On applications where level of fluid is subject to change, a liquid level switch mounted a minimum of 3-4" (76-102mm) above element is recommended. **Liquid level switch is not included with heater.**

All 380 Volt and 480 Volt heaters must be used in conjunction with contactor and control transformer.

All three phase models must be used with a contactor. See page 34.

Higher or lower temperature ranges are available. Consult HOTSTART.

V-Clamp Immersion Heaters

Threadless Design

Available with fixed or adjustable thermostat.



Weathertight Model
NEMA 4



Hazardous Location Model
NEMA 4 & 7

Models for larger capacities than shown are available. Call factory.

Oil Capacity	HIGH LIMIT THERMOSTAT CONTROL SETTING			Volts	Watts	Amps	Watts/Sq. In.
	On 60°F (16C) Off 80°F (27C)	On 80°F (27C) Off 100°F (38C)	On 100°F (38C) Off 120°F (49C)				

SINGLE PHASE — WITH A 12" (305mm) PROBE LENGTH

30 - 45 Gallons 113-170L	E01011W-156V-00	E01011W-158V-00	E01011W-151V-00	120	1000	8.3	17.0
	E01081W-156V-00	E01081W-158V-00	E01081W-151V-00	208	1000	4.8	17.0
	E01021W-156V-00	E01021W-158V-00	E01021W-151V-00	240	1000	4.2	17.0
	E01071W-156V-00	E01071W-158V-00	E01071W-151V-00	277	1000	3.6	17.0
45 - 60 Gallons 170-227L	E01511W-156V-00	E01511W-158V-00	E01511W-151V-00	120	1500	12.5	17.0
	E01581W-156V-00	E01581W-158V-00	E01581W-151V-00	208	1500	7.2	17.0
	E01521W-156V-00	E01521W-158V-00	E01521W-151V-00	240	1500	6.3	17.0
	E01571W-156V-00	E01571W-158V-00	E01571W-151V-00	277	1500	5.4	17.0

THREE PHASE — WITH A 12" (305mm) PROBE LENGTH

30 - 45 Gallons 113-170L	E01083W-106V-00	E01083W-108V-00	E01083W-101V-00	208	1000	2.8	11.0
	E01023W-106V-00	E01023W-108V-00	E01023W-101V-00	240	1000	2.4	11.0
	E01033W-106V-00	E01033W-108V-00	E01033W-101V-00	380	1000	1.5	11.0
	E01043W-106V-00	E01043W-108V-00	E01043W-101V-00	480	1000	1.2	11.0
45 - 60 Gallons 170-227L	E01583W-156V-00	E01583W-158V-00	E01583W-151V-00	208	1500	4.2	17.0
	E01523W-156V-00	E01523W-158V-00	E01523W-151V-00	240	1500	3.6	17.0
	E01533W-156V-00	E01533W-158V-00	E01533W-151V-00	380	1500	2.3	17.0
	E01543W-156V-00	E01543W-158V-00	E01543W-151V-00	480	1500	1.8	17.0

SINGLE PHASE — WITH A 18" (457mm) PROBE LENGTH

60 - 90 Gallons 227-341L	E02011W-156V-00	E02011W-158V-00	E02011W-151V-00	120	2000	16.7	14.0
	E02081W-156V-00	E02081W-158V-00	E02081W-151V-00	208	2000	9.6	14.0
	E02021W-156V-00	E02021W-158V-00	E02021W-151V-00	240	2000	8.4	14.0
	E02071W-156V-00	E02071W-158V-00	E02071W-151V-00	277	2000	7.2	14.0
	E02031W-156V-00	E02031W-158V-00	E02031W-151V-00	380	2000	5.3	14.0
	E02041W-156V-00	E02041W-158V-00	E02041W-151V-00	480	2000	4.2	14.0

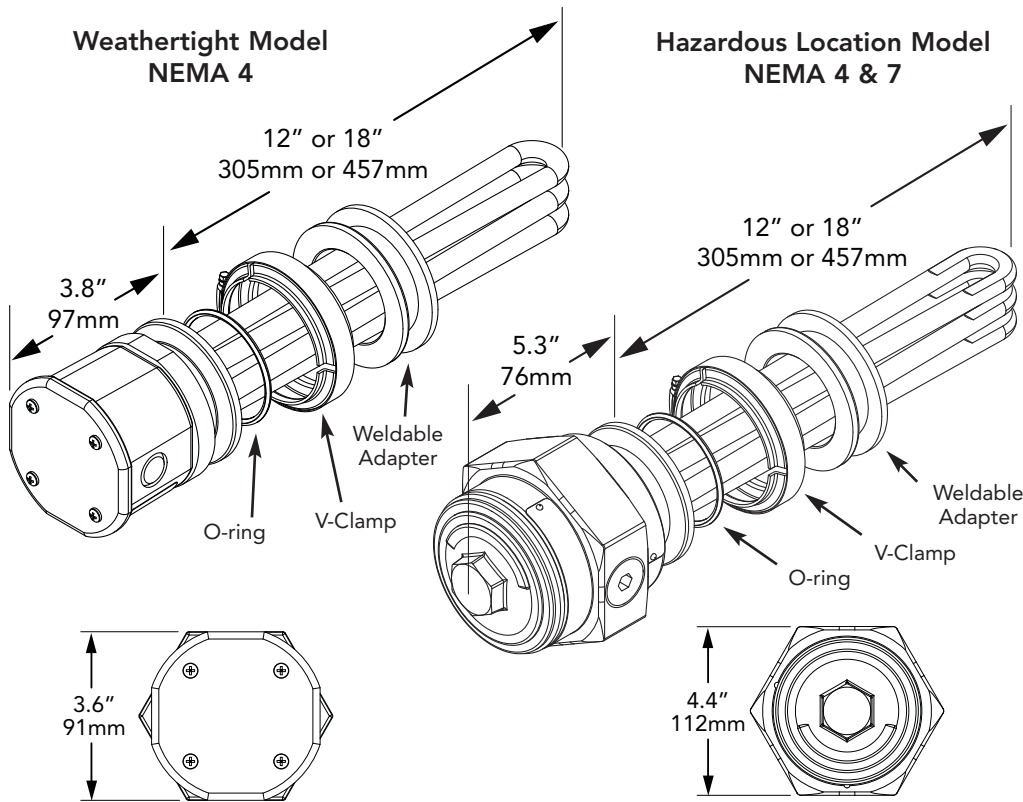
THREE PHASE — WITH A 18" (457mm) PROBE LENGTH

60 - 90 Gallons 227-341L	E02083W-156V-00	E02083W-158V-00	E02083W-151V-00	208	2000	5.6	14.0
	E02023W-156V-00	E02023W-158V-00	E02023W-151V-00	240	2000	4.8	14.0
	E02033W-156V-00	E02033W-158V-00	E02033W-151V-00	380	2000	3.0	14.0
	E02043W-156V-00	E02043W-158V-00	E02043W-151V-00	480	2000	2.4	14.0

Hazardous Location models with thermostat also available. Substitute the letter "W" in part number with the letter "E" to specify Hazardous Location models. Industrial Immersion Heaters are also available for coolants and other process heating. Call factory.

Call HOTSTART for complete model number featuring adjustable thermostat.

HOTSTART immersion heaters include a fixed-setting, built-in thermostat and are available with an adjustable thermostat.



V-Clamp Immersion Heaters

Threadless Design

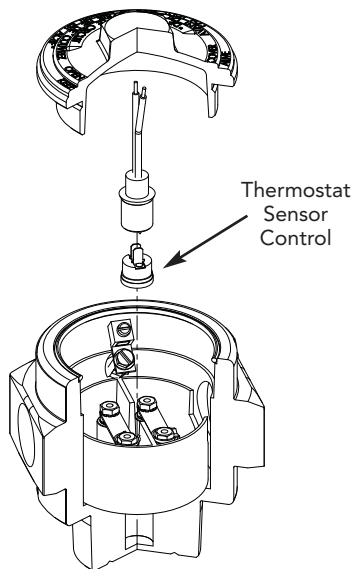
Element assembly includes O-Ring only.

Installation kit sold separately.

V-CLAMP INSTALL KIT

Part Number	Parts Included
VC-SK	Steel weldable adapter V-Clamp O-ring

Fixed Thermostat Assembly

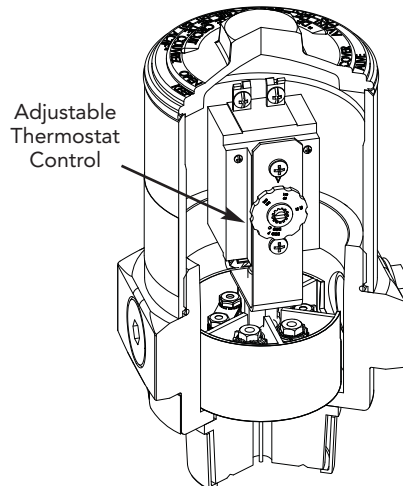


TEMPERATURE RANGE ON	TEMPERATURE RANGE OFF	CONTROL
60°F (16C)	80°F (27C)	HLC-6
80°F (27C)	100°F (38C)	HLC-8
100°F (38C)	120°F (49C)	HLC-10

ELECTRICAL RATING

15 Amps at 120 Vac
10 Amps at 240 Vac
10 Amps at 277 Vac

Adjustable Thermostat Assembly



TEMPERATURE RANGE	CONTROL
OFF	70°F - 210°F (21°-99°C)

Nominal thermal differential is 8°F (-13°C)

ELECTRICAL RATING

30 Amps at 125 Vac
30 Amps at 240 Vac
30 Amps at 277 Vac
20 Amps at 480 Vac

NOTES:

On applications where level of fluid is subject to change, a liquid level switch mounted a minimum of 3-4" (76-102mm) above element is recommended. **Liquid level switch is not included with heater.**

All 380 Volt and 480 Volt heaters must be used in conjunction with contactor and control transformer.

All three phase heaters must be used with a contactor. See page 34.

Higher or lower temperature ranges are available. Consult HOTSTART.