

# Thermosiphon Engine Heaters

WL Series  
Weathertight  
Three Phase

2500-5000 Watts



WL Model without thermostat



WL Model with thermostat

Engine Displacement	Model Number without Thermostat	Model Number with Thermostat see chart 1	Volts	Watts	Phase	Amps
600 - 800cid 9.8 - 13.1L	WL325800-000	WL3258XX-200	208	2500	3	6.9
	WL325200-000	WL3252XX-200	240	2500	3	6.0
	WL325A00-000	WL325AXX-200	400	2500	3	3.6
	WL325400-000	WL3254XX-200	480	2500	3	3.0
	WL325500-000	WL3255XX-200	575	2500	3	2.5
1000 - 1350cid 16.4 - 22.1L	WL340800-000	WL3408XX-200	208	4000	3	11.1
	WL340200-000	WL3402XX-200	240	4000	3	9.6
	WL340A00-000	WL340AXX-200	400	4000	3	5.8
	WL340400-000	WL3404XX-200	480	4000	3	4.8
	WL340500-000	WL3405XX-200	575	4000	3	4.0
1350 - 1650cid 22.1 - 27.0L	WL350800-000	WL3508XX-200	208	5000	3	13.9
	WL350200-000	WL3502XX-200	240	5000	3	12.0
	WL350A00-000	WL350AXX-200	400	5000	3	7.2
	WL350400-000	WL3504XX-200	480	5000	3	6.0
	WL350500-000	WL3505XX-200	575	5000	3	5.0

## CHART 1

### Heaters with Thermostats

To specify temperature range of thermostat, insert numerical code from chart in place of the XX in model number.

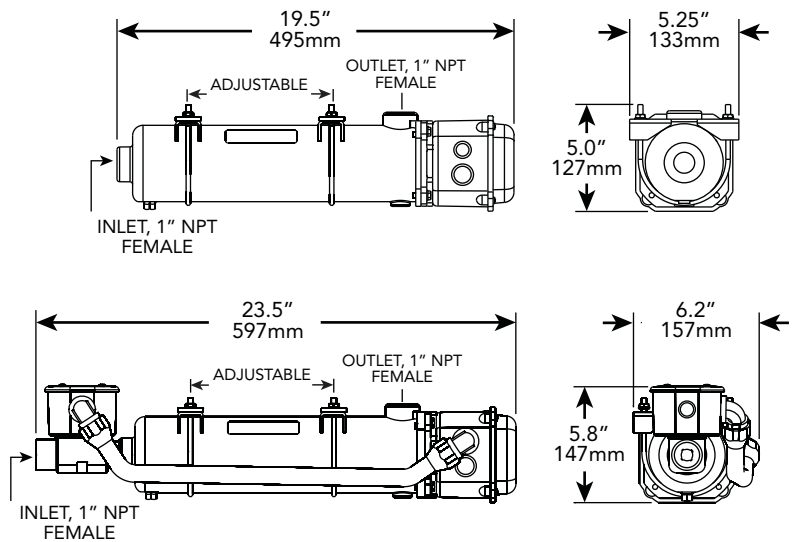
#### Example:

Desired Temp. Range: 100° - 120°F  
Model Number: WL3252XX-200  
Order as: WL325210-200

Temperature Range		Numerical Code
ON	OFF	
80°F (27C)	100°F (38C)	08
100°F (38C)	120°F (49C)	10
120°F (49C)	140°F (60C)	12
Adjustable 90° - 130°F (32° - 54°C)		A3

All 3 phase heaters with thermostat must use a control box. See Control Systems page 34.

## WL Model



Model Number without Thermostat	Model Number with Thermostat see chart 2	Element Replacement
WL325800-000	WL3258XX-200	REWL3258
WL325200-000	WL3252XX-200	REWL3252
WL325A00-000	WL325AXX-200	REWL325A
WL325400-000	WL3254XX-200	REWL3254
WL325500-000	WL3255XX-200	REWL3255
WL340800-000	WL3408XX-200	REWL3408
WL340200-000	WL3402XX-200	REWL3402
WL340A00-000	WL340AXX-200	REWL340A
WL340400-000	WL3404XX-200	REWL3404
WL340500-000	WL3405XX-200	REWL3405
WL350800-000	WL3508XX-200	REWL3508
WL350200-000	WL3502XX-200	REWL3502
WL350A00-000	WL350AXX-200	REWL350A
WL350400-000	WL3504XX-200	REWL3504
WL350500-000	WL3505XX-200	REWL3505

Common Replacement Parts available for all listed heaters	
High Limit Control	HLC-165
Check Valve	RV-M
Element O-ring	TML-OR
Tank	RTL
Mounting Brackets	FK7

## Replacement Parts

For thermosiphon engine heaters  
WL Series

### CHART 2 Heaters with Thermostats

Temperature Range		Sensing Unit
ON	OFF	
80°F (27C)	100°F (38C)	FSU8
100°F (38C)	120°F (49C)	FSU10
120°F (49C)	140°F (60C)	FSU12
Adjustable 90° - 130°F (32° - 54°C)		FSU90-130

#### Example:

Model Number: WL325210-200  
T-Stat Replacement: FSU10

### ADAPTER FITTINGS

For the use of 0.75" or 1" ID heater hose, hose barb adapters are available. See below.

HB-1	1" NPT to 1" hose barb adapter. Installs in 1" NPT female inlet or outlet of the heater.
HB-3/4	1" NPT to 0.75" hose barb adapter. Installs in 1" NPT female inlet or outlet of the heater.

