

Explosion Proof Breaker Box BB



HOTSTART's BB is a breaker box capable of providing a disconnection point and overcurrent protection when paired with HOTSTART hazardous location heating systems for oil and gas applications.

BENEFITS & FEATURES

ONSITE SAFETY

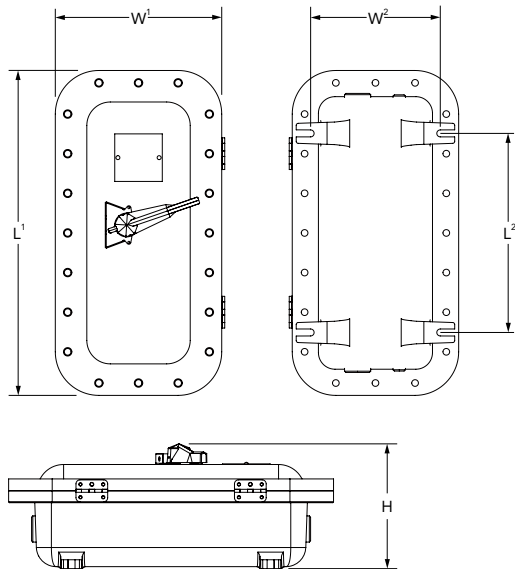
The BB Breaker Box is a lockout/tagout solution for onsite disconnection and overcurrent protection for Class 1, Div. 1 and 2, Group D classified HOTSTART heating systems. Main power can be easily and safely isolated for maintenance purposes.

INITIAL INSTALL OR RETROFIT OPTIONS

Offered as a separate component to hazardous location heating systems, the BB has multiple circuit breaker options allowing it to be installed with a new system or easily retrofitted to an existing compressor or engine heater.



Explosion Proof Breaker Box BB



MODEL INFORMATION

For assistance in selecting the heating system and appropriate overcurrent protection/disconnection point for your application, contact the HOTSTART Oil & Gas office at 281.600.3700 or oil.gas@hotstart.com.

Height (H)	Length 1 (L1)	Width 1 (W1)
7.87"	20.5"	10.5"
230 mm	152 mm	161 mm
Length 2 (L2)	Width 2 (W2)	Weight
12.56"	8.18"	45 lbs
319 mm	207.8 mm	20.4 kg

System	
Phase	three-phase (3 Ø)
Voltage	120-480V 600V
Amp	20A 40A 50A 70A 90A 110A 120A
Ingress	NEMA 4X, 7, 9
Circuit Breaker Type	3-pole, fixed thermal-magnetic trip
Power Wiring Entrance.	1.25" NPT
Control Wiring Entrance	0.5" NPT
Certification	Class 1, Div.1, Group D, UL / CSA

Options shown represent typical tested or certified configurations. Additional options or configurations may be available. For assistance with your heating system application, contact HOTSTART at 281.600.3700 or oil.gas@hotstart.com.