

Oil Heating System

OLM



MARINE



GENERATOR



HEAVY
EQUIPMENT

HOTSTART's OLM heating system is an oil heater, developed to heat oil reservoirs of marine engines as well as diesel and gas engines for stationary land power, and mining equipment.



BENEFITS & FEATURES

CLEAN, FULL POWER STARTS

Marine heating systems allow large-displacement propulsion engines to start clean and deliver full-power right away without a warm-up delay or idling. Forced circulation of heated oil delivers uniform heating to the oil reservoir and external circuit piping – enhancing starting and reducing maintenance.

COMPACT PACKAGED DESIGN

Designed with usability, reliability and safety in mind, the OLM's configuration features a remote automatic function, customer interface connections, pressure relief valve and two PT-100 sensors for accurate temperature monitoring and control.

DESIGN FLEXIBILITY

The OLM heater is available in a range of voltages up to 690 V, custom interfaces as needed and component configuration for 50 and 60 Hz allowing for easy integration into existing ship power.

SUPPORT & SERVICE

HOTSTART's offices in North America, Europe and Asia – combined with our partner and dealer network around the globe, decrease delivery times and provide localized service and support.

Oil Heating System

OLM



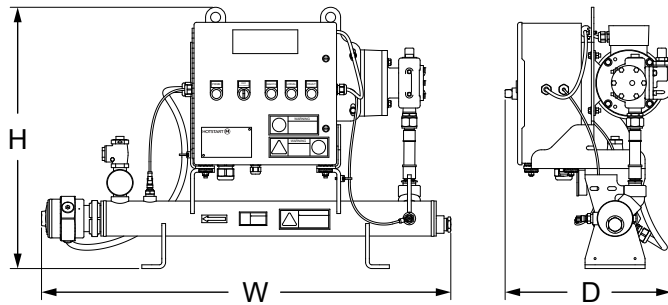
MARINE



GENERATOR



HEAVY EQUIPMENT



MODEL INFORMATION

Proper heating system specification is dependent on multiple factors, including heated area dimensions, fluid volumes, ambient conditions, and other considerations. Additional heating system options not listed, including heat power, may be available. For assistance in selecting the heating system for your application, contact the HOTSTART Europe office at europa@hotstart.com.

Height (H)	Width (W)	Depth (D)	Weight
27"	41"	17"	160 lbs
686 mm	1041 mm	432 mm	72.5 kg

System				
Phase	single-phase (1 Ø)		three-phase (3 Ø)	
Voltage (50 Hz)	230V	400V (380-415 V)		690V
Voltage (60 Hz)	120V	208V	220V	240V
	380V	440V	480V	600V 690V
Control Box Ingress	NEMA 4 / IP66			
Motor Ingress	IP55			
Min./Max. Ambient Temp.	-4 °F / 104 °F (-20 °C / 40 °C)			
Certification	CE conformance			
	Marine Society certification available			

Oil	
Fluid Type	Engine oil; Hydraulic fluid
Heat Power	9 kW 12 kW
Temp. Control	32–212 °F (0–100 °C), adjustable
Control Set Point	104 °F (40 °C), factory set
Temp. High-limit	195 °F (90 °C)
Pump Power	2 hp (1.5 kW)
Flow (50 Hz)	9.5 gpm (2.2 m³/hr) 19 gpm (4.3 m³/hr)
Flow (60 Hz)	11 gpm (2.5 m³/hr) 23 gpm (5.2 m³/hr)
Inlet/Outlet	1" NPT
Pressure Relief	75 psi (517 kPa)
Max. Pressure	100 psi (690 kPa)

Options shown represent typical tested or certified configurations. Additional options or configurations may be available. For assistance with your heating system application, contact HOTSTART at europa@hotstart.com.