

Thermosiphon Heating Systems VH



CE UK
CA

Hotstart's VH thermosiphon heating system is a coolant preheater, developed to maintain optimal temperatures for diesel and gas engines in power generation, fire pump, marine, construction equipment, and truck applications.



PROVEN DESIGN

Depend on consistent, reliable heating with the proven design of the VH thermosiphon heater. Heated coolant rises and circulates through the engine block, maintaining critical system temperatures during standby to ensure reliable engine starts.



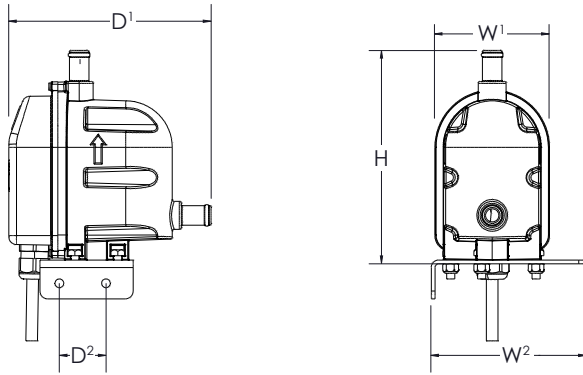
EASY INSTALLATION

The VH's inlet and outlet positions allow for quick and simple installations, reducing complicated plumbing requirements. Each VH comes with a universal mounting kit for quick and easy upgrading from existing heater installations.



VERSATILE & ADAPTABLE

The VH can be configured for almost any weather-protected application. Dual thermostats are integrated for fixed temperature monitoring as well as a high limit for safety. Multiple options are available for this CE and UKCA compliant design.



Height (H)	Depth (D ¹)	Depth (D ²)	Width (W ¹)	Width (W ²)	Weight
171 mm	165 mm	38 mm	94 mm	127 mm	1.44 kg
6.75"	6.5"	1.5"	3.7"	5"	3.2 lb

VH System	
Phase	single-phase (1 Ø)
Voltage	240V
Ingress	IP45
Tank Material	Aluminum
Heating Element Material	Incoloy 800
Min./Max. Ambient Temp	-40–40 °C (-40–104 °F)
Certification	UKCA, CE-compliant

VH Coolant	
Fluid Type	Water Coolant mix (50% water/50% glycol)
Heat Power	1 kW 1.5 kW 2.2 kW
Temp. Control	Fixed, refer to Temperature Range table
High Limit	Fixed 100 °C (212 °F), Auto reset at 90 °C (194 °F)
Max. Pressure	90 psi (620 kPa)
Inlet/Outlet	1 kW model–0.63" hose barb (16 mm) 1.5 kW / 2.2 kW models–0.75" hose barb (19 mm)

Temperature Range		Numerical Code
ON	OFF	Code
80 °F (27 °C)	100 °F (38 °C)	08
100 °F (38 °C)	120 °F (49 °C)	10

Additional options or configurations may be available. For assistance with your heating system application, contact Hotstart at 509.536.8660 or sales@hotstart.com.

Ordering Information

VH

Engine Displacement	Power Supply			Heating System Model Number
	V	Ø	kW A	
350 CID 5.7 L	240	1	1 4.2	VH10208-000
	240	1	1 4.2	VH10210-000
350–500 CID 5.7–8.2 L	240	1	1.5 6.3	VH15208-000
	240	1	1.5 6.3	VH15210-000
500–700 CID 8.2–11.5 L	240	1	2.2 9.4	VH22208-000
	240	1	2.2 9.4	VH22210-000

Power cord length on all models – 59" (1500mm).

VH engine preheaters include a fixed setting thermostat. A single or double digit numeral at the end of the model number prefix designates the temperature range. Example: VH10208-000

