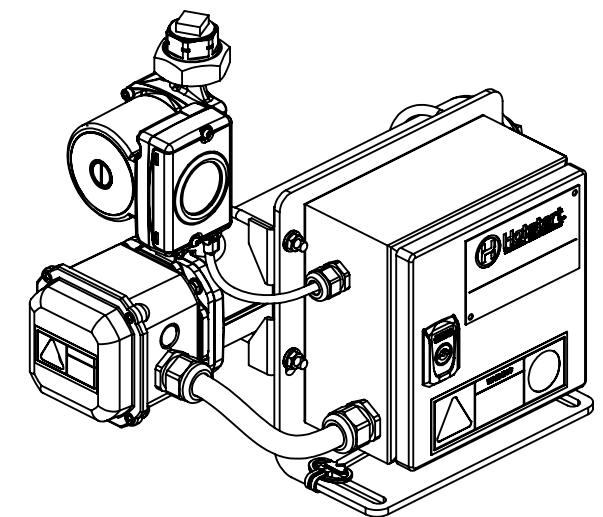
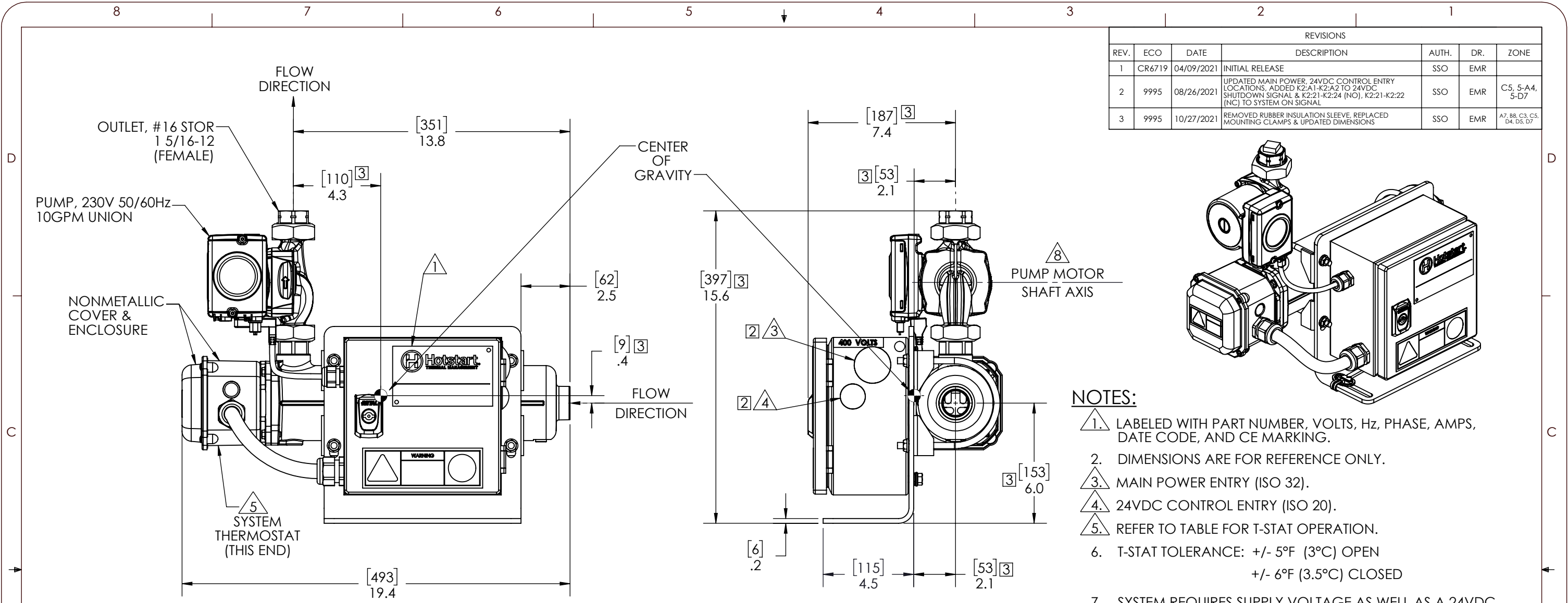
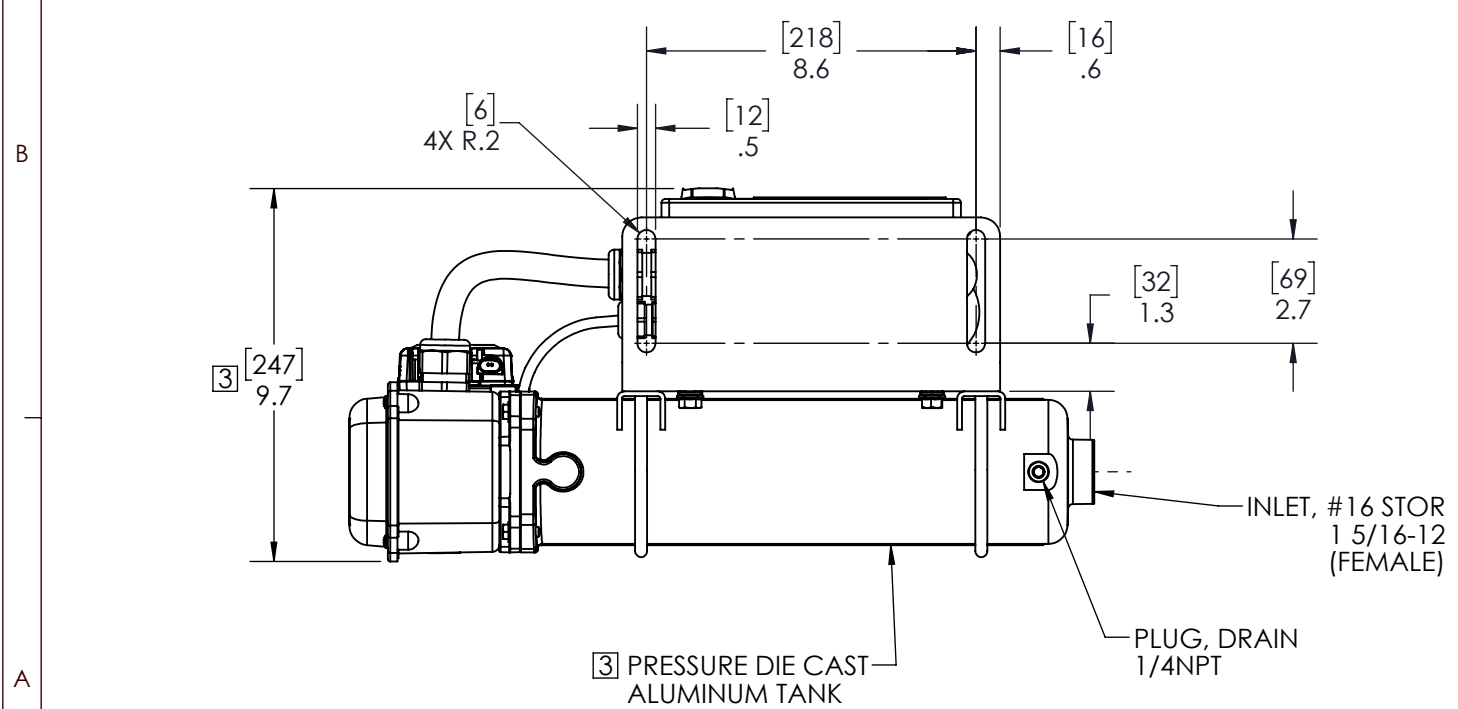


REVISIONS						
REV.	ECO	DATE	DESCRIPTION	AUTH.	DR.	ZONE
1	CR6719	04/09/2021	INITIAL RELEASE	SSO	EMR	
2	9995	08/26/2021	UPDATED MAIN POWER, 24VDC CONTROL ENTRY LOCATIONS. ADDED K2:A1-K2:A2 TO 24VDC SHUTDOWN SIGNAL & K2:21-K2:24 (NO), K2:21-K2:22 (NC) TO SYSTEM ON SIGNAL	SSO	EMR	C5, 5-A4, 5-D7
3	9995	10/27/2021	REMOVED RUBBER INSULATION SLEEVE. REPLACED MOUNTING CLAMPS & UPDATED DIMENSIONS	SSO	EMR	A7, B8, C3, C5, D4, D5, D7



**NOTES:**

1. LABELED WITH PART NUMBER, VOLTS, Hz, PHASE, AMPS, DATE CODE, AND CE MARKING.
2. DIMENSIONS ARE FOR REFERENCE ONLY.
3. MAIN POWER ENTRY (ISO 32).
4. 24VDC CONTROL ENTRY (ISO 20).
5. REFER TO TABLE FOR T-STAT OPERATION.
6. T-STAT TOLERANCE: +/- 5°F (3°C) OPEN  
+/- 6°F (3.5°C) CLOSED
7. SYSTEM REQUIRES SUPPLY VOLTAGE AS WELL AS A 24VDC SIGNAL FROM THE ENGINE IGNITION SYSTEM. HEATER & PUMP MUST BE DE-ENERGIZED AT ENGINE START-UP.
8. HEATING SYSTEM IS DESIGNED TO BE MOUNTED HORIZONTALLY SUCH THAT THE PUMP MOTOR SHAFT IS HORIZONTAL.
9. WEIGHT: 16.8kg / 37lbs
10. HEATING FLUID: ENGINE COOLANT
11. INGRESS PROTECTION: IP44
12. FLUID CAPACITY: 0.6 gal (2.2L)
13. PUMP POWER: 70W
14. MAX PRESSURE: 125PSI (8.61 BAR)
15. ELEMENT MATERIAL: INCOLOY 840



PART NUMBER	DESCRIPTION	VOLTS	WATTS	FREQUENCY	ON (°F [°C])	OFF (°F [°C])
CSM4060A-5A0-E	CSM 400V 50Hz 3P+N 6kW 100-130F	400	6000	50/60	100 [38]	130 [54]
CSM4090A-5A0-E	CSM 400V 50Hz 3P+N 9kW 100-130F	400	9000	50/60	100 [38]	130 [54]
CSM4120A-5A0-E	CSM 400V 50Hz 3P+N 12kW 100-130F	400	12000	50/60	100 [38]	130 [54]

**Hotstart** Europe GmbH Köln, Germany

PROPRIETARY INFORMATION

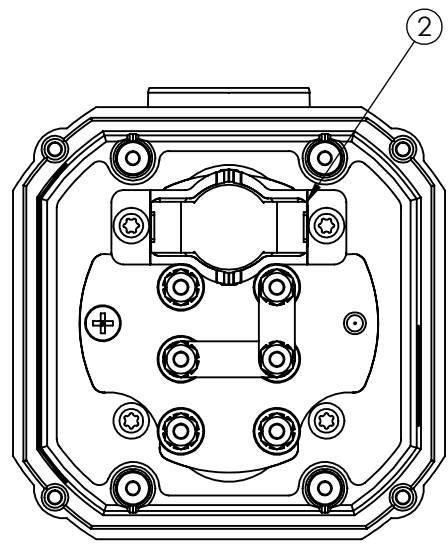
This drawing and the information shown on it are property of Hotstart, Inc. and are for the sole purpose of doing business with us. Any copying or transmittal to others of this information is strictly prohibited without prior written consent from Hotstart.

**CSM 3P+N 50Hz UNION PUMP ON OUTLET**

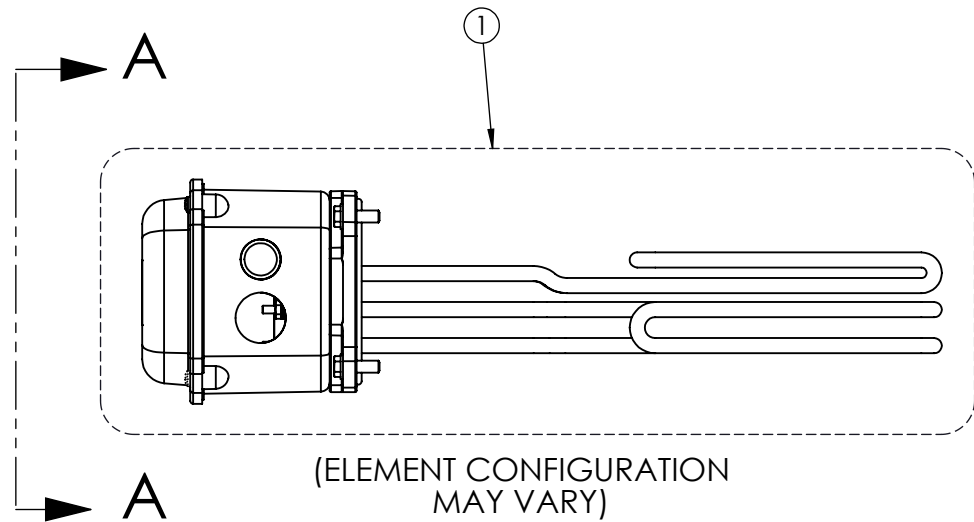
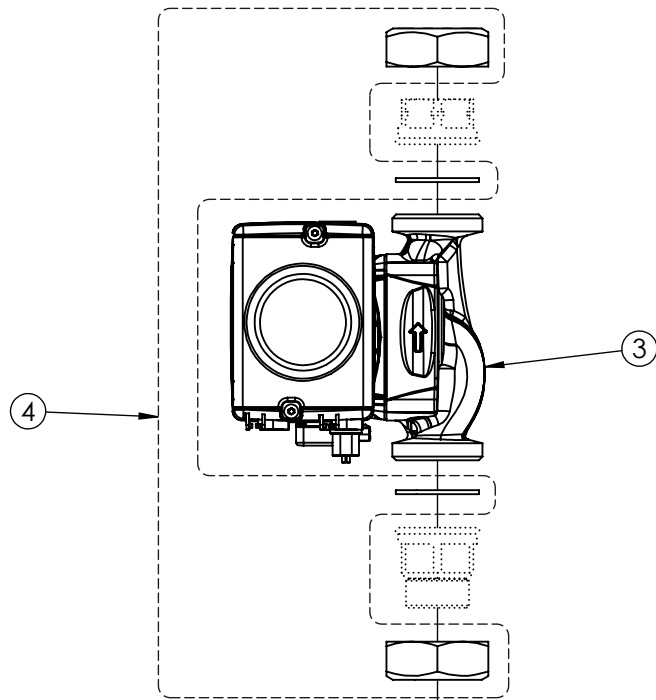
DWG. NO. **B-1008-0S**

SIZE **A3** ORIGIN **CR6719**

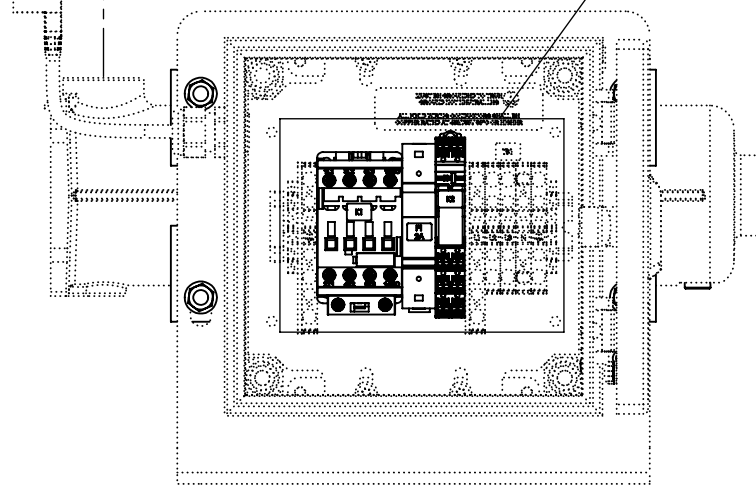
SCALE **1:5** SHEET **1 OF 5** REV **03**



**VIEW A-A**  
WITHOUT COVER  
SCALE 1:2  
(ELEMENT CONFIGURATION  
MAY VARY)



(ELEMENT CONFIGURATION  
MAY VARY)



**DETAIL B**  
SCALE 1:1

REPLACEMENT PARTS LIST

ITEM NUMBER	DESCRIPTION	PART NUMBER		
		CSM4060A-5A0-E	CSM4090A-5A0-E	CSM4120A-5A0-E
1	REPLACEMENT ELEMENT ASSEMBLY	RECSM3060A-0A0	RECSM3090A-0A0	RECSM3120A-0A0
2	THERMOSTAT	RSU1013-CSM	RSU1013-CSM	RSU1013-CSM
3	PUMP	PRP228052-015	PRP228052-015	PRP228052-015
4	UNION PUMP KIT	PRP118337-001	PRP118337-001	PRP118337-001
5	CONTACTOR	PRP232070-003	PRP232070-003	PRP232070-003
6	24V RELAY	PRP231149-100S	PRP231149-100S	PRP231149-100S
7	RELAY SOCKET	PRP231148-200	PRP231148-200	PRP231148-200
8	FUSE	PRP231048-000	PRP231048-000	PRP231048-000



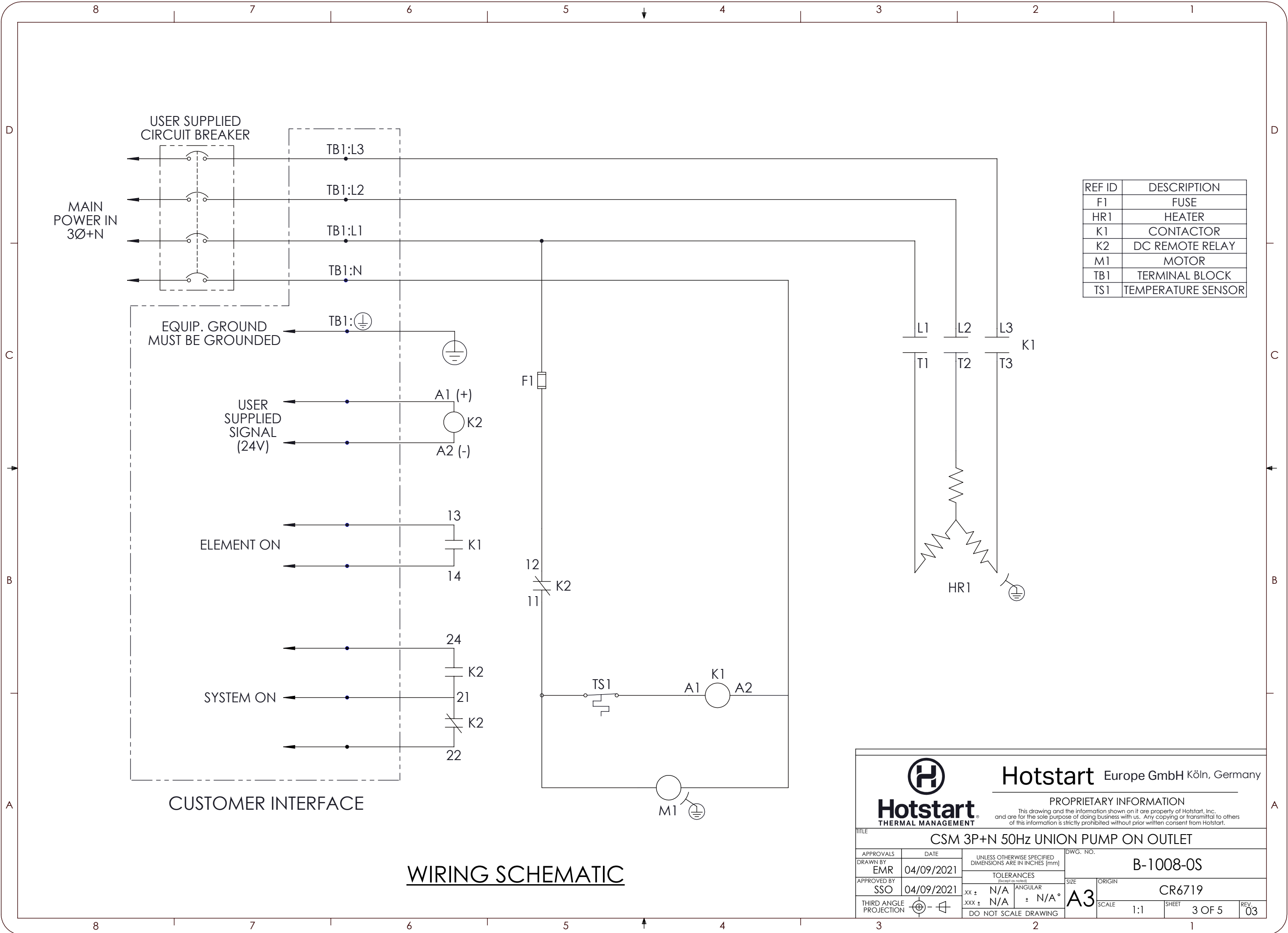
**Hotstart**  
THERMAL MANAGEMENT

Hotstart Europe GmbH Köln, Germany

PROPRIETARY INFORMATION


This drawing and the information shown on it are property of Hotstart, Inc. and are for the sole purpose of doing business with us. Any copying or transmittal to others of this information is strictly prohibited without prior written consent from Hotstart.

TITILE		CSM 3P+N 50Hz UNION PUMP ON OUTLET		DWG. NO.		B-1008-0S	
APPROVALS	DATE	UNLESS OTHERWISE SPECIFIED DIMENSIONS ARE IN INCHES [mm]		SIZE	ORIGIN	SCALE	
DRAWN BY EMR	04/09/2021	TOLERANCES (unless noted)		A3	CR6719	1:4	
APPROVED BY SSO	04/09/2021	.XX ± N/A	ANGULAR ± N/A°			SHEET	2 OF 5
THIRD ANGLE PROJECTION		DO NOT SCALE DRAWING					



REF ID	DESCRIPTION
F1	FUSE
HR1	HEATER
K1	CONTACTOR
K2	DC REMOTE RELAY
M1	MOTOR
TB1	TERMINAL BLOCK
TS1	TEMPERATURE SENSOR

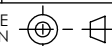
**WIRING SCHEMATIC**

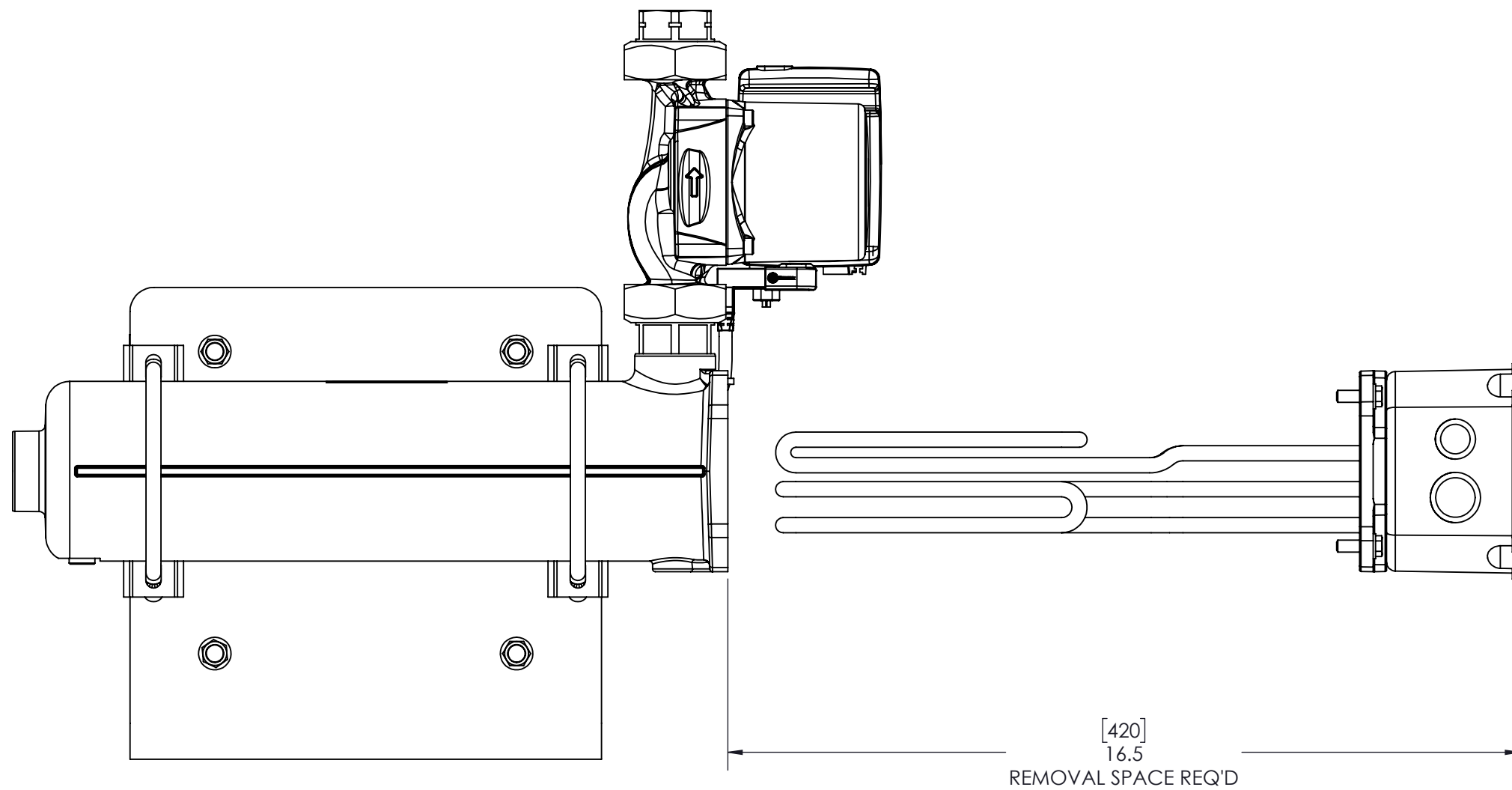



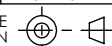
**Hotstart** Europe GmbH Köln, Germany

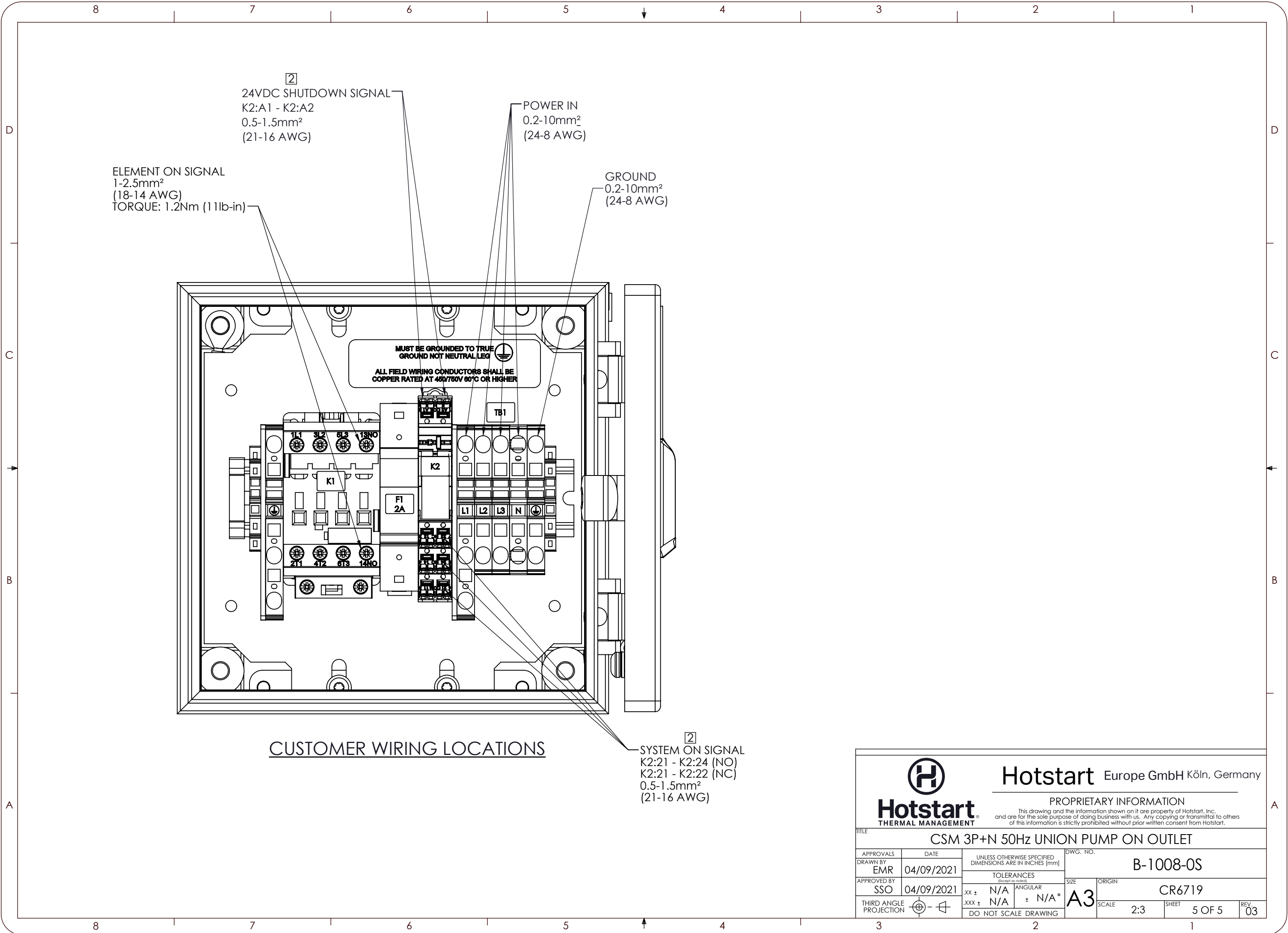
PROPRIETARY INFORMATION


This drawing and the information shown on it are property of Hotstart, Inc. and are for the sole purpose of doing business with us. Any copying or transmittal to others of this information is strictly prohibited without prior written consent from Hotstart.

<b>TITLE</b>				<b>CSM 3P+N 50Hz UNION PUMP ON OUTLET</b>			
APPROVALS	DATE	UNLESS OTHERWISE SPECIFIED DIMENSIONS ARE IN INCHES [mm]	DWG. NO.				
DRAWN BY	04/09/2021	TOLERANCES	<b>A3</b>			ORIGIN <b>CR6719</b>	
APPROVED BY	04/09/2021	.XX ± N/A ANGULAR ± N/A°					
THIRD ANGLE PROJECTION		DO NOT SCALE DRAWING	SCALE	1:1	SHEET	3 OF 5	REV
							03



		<b>Hotstart</b> Europe GmbH Köln, Germany		
<b>Hotstart</b> THERMAL MANAGEMENT		PROPRIETARY INFORMATION <small>This drawing and the information shown on it are property of Hotstart, Inc. and are for the sole purpose of doing business with us. Any copying or transmittal to others of this information is strictly prohibited without prior written consent from Hotstart.</small>		
TITLE: CSM 3P+N 50Hz UNION PUMP ON OUTLET				
APPROVALS	DATE	UNLESS OTHERWISE SPECIFIED DIMENSIONS ARE IN INCHES [mm]	DWG. NO.	
DRAWN BY EMR	04/09/2021	TOLERANCES <small>(unless as noted)</small>	B-1008-0S	
APPROVED BY SSO	04/09/2021		SIZE	ORIGIN
THIRD ANGLE PROJECTION		.XX ± N/A .XXX ± N/A	ANGULAR ± N/A°	A3
		DO NOT SCALE DRAWING	SCALE	SHEET
			1:3	4 OF 5
				REV 03





**Hotstart** Europe GmbH Köln, Germany

PROPRIETARY INFORMATION

This drawing and the information shown on it are property of Hotstart, Inc. and are for the sole purpose of doing business with us. Any copying or transmittal to others of this information is strictly prohibited without prior written consent from Hotstart.

TITL		CSM 3P+N 50Hz UNION PUMP ON OUTLET		DWG. NO.		B-1008-0S	
APPROVALS	DATE	UNLESS OTHERWISE SPECIFIED DIMENSIONS ARE IN INCHES [mm]		SIZE	ORIGIN	CR6719	
DRAWN BY EMR	04/09/2021						
APPROVED BY SSO	04/09/2021	TOLERANCES <small>(unless noted)</small>		<b>A3</b>	SCALE	SHEET	REV
THIRD ANGLE PROJECTION	⊕ - ⊖	.XX ± N/A	ANGULAR ± N/A°				
		DO NOT SCALE DRAWING					